

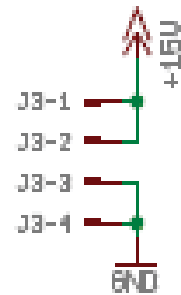
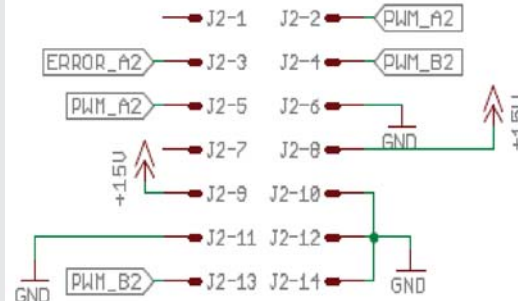
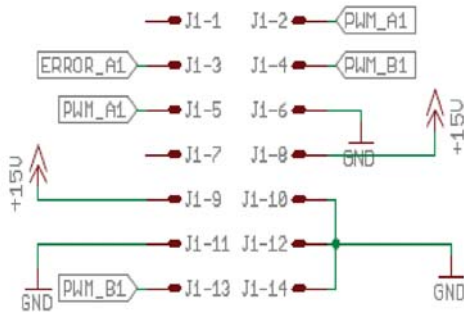


## SIGNAL CONVERTER

ELECTRICAL - FIBER OPTIC  
PCB PART: 220221022M

Excellent Plug & Play solution!!

### Input Connection Detail



### Benefits

- On board Electrical - Fiber Optical conversion
- Interface for 5V...15 V logic level
- One PCB can transmit 4 Signals for H-Bridge Drive, 2 Receiver for Fault Feedback.
- Compact in Size 90 X 60 mm Overall dimension
- Mounting Hole : 80 X 50 mm
- AVAGO / BRODCOM HFBR Connector compatible

Optional with 10-Pin FRC connection

ORDERING CODE - 220221022P

